

COMPONENTS

Ⓐ Top back rail x 1

Ⓑ Bottom back slat x 2

Ⓒ Front & Back crossbar x 2

Ⓓ Base x 1

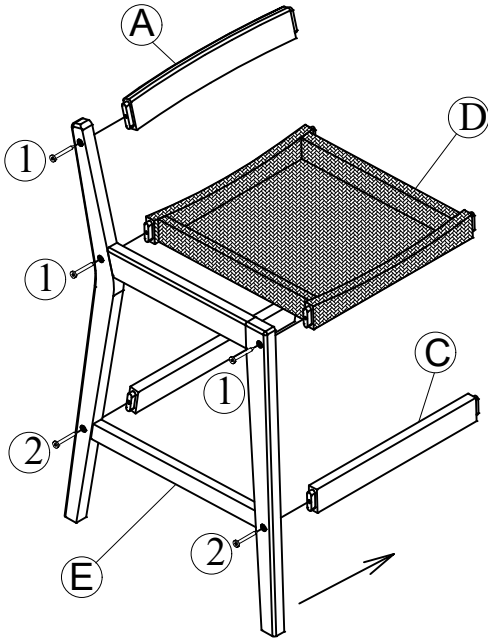
Ⓔ Frame Legs x 2

HARDWARE

①		SCREW M6 x 60	6 pcs
②		BOLT M6 x 60 Nut	4 Pcs
③		ALLEN KEY 4	2 pcs

These instructions must be used to ease the assembly of your furniture.  
Please ensure that you have all the components before assembly.  
Remember to place the part on a carpeted floor or blanket in order to protect them from damage while you assemble.

STEP 1



STEP 2

